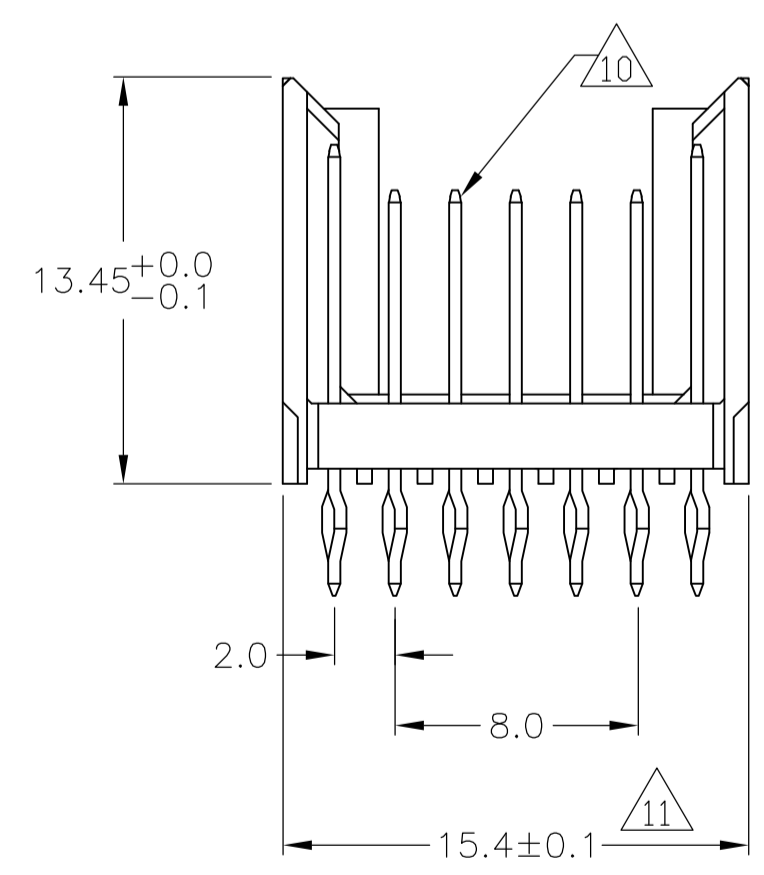
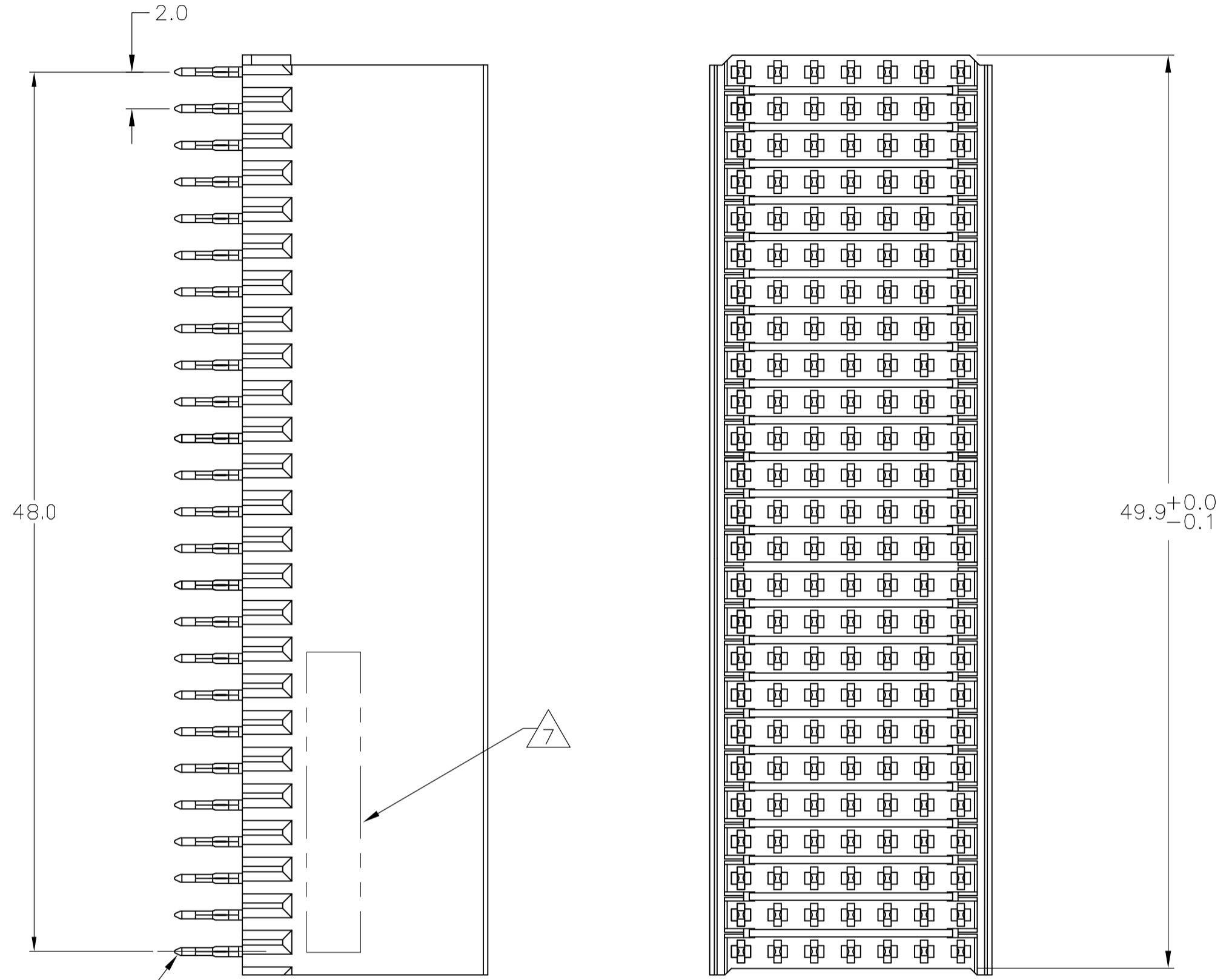
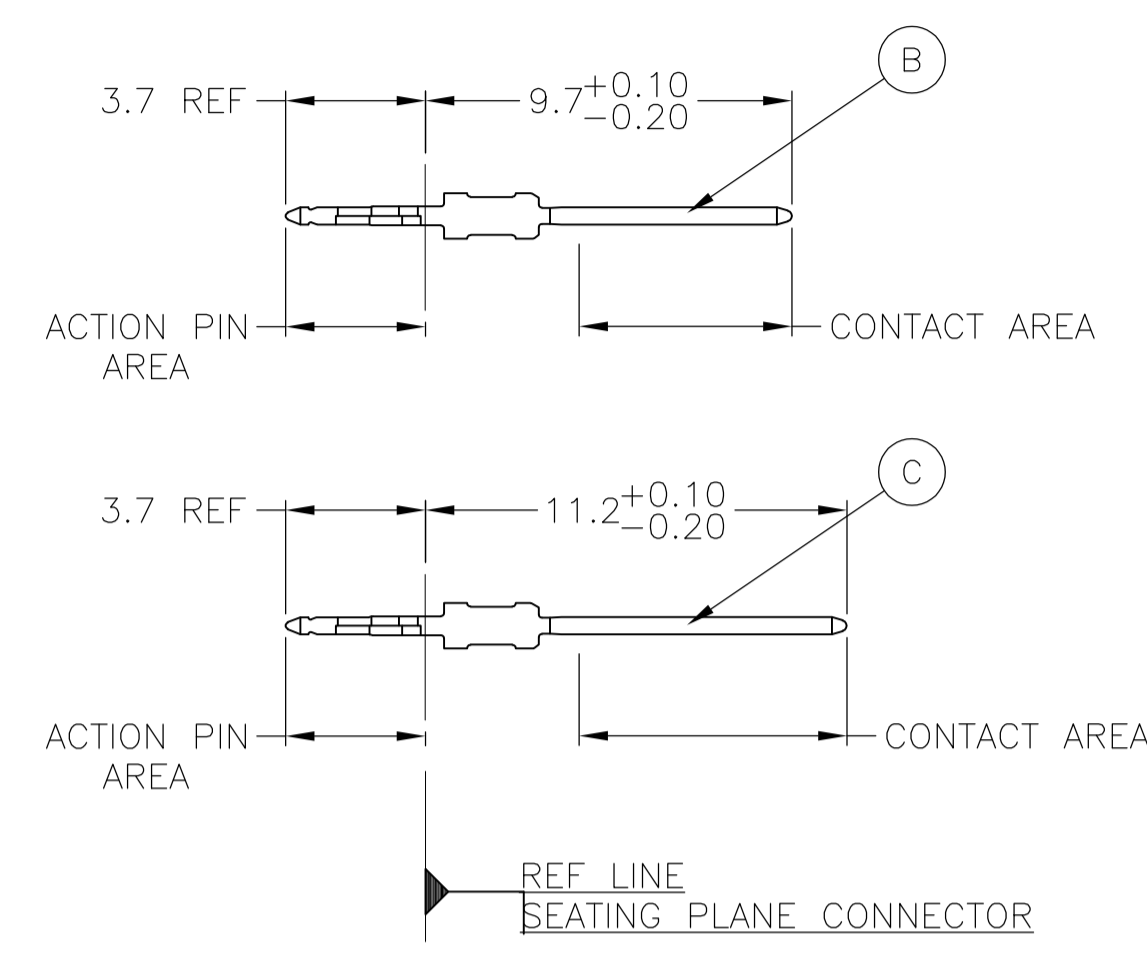


LOC		DIST		REVISIONS			
P	LTR	DESCRIPTION	DATE	DMN	APVD		
C		REVISED PER EC 0512-0306-05	23MAY06	BC	GS		
C1		REVISED PER ECO-10-000444	19JAN10	KK	HMR		
E		ECR-12-007782	26APR12	AZ	AC		

**CONNECTOR ASSEMBLY
 EXAMPLARY LOADED**



CONTACT DIMENSIONS
 SCALE 5:1

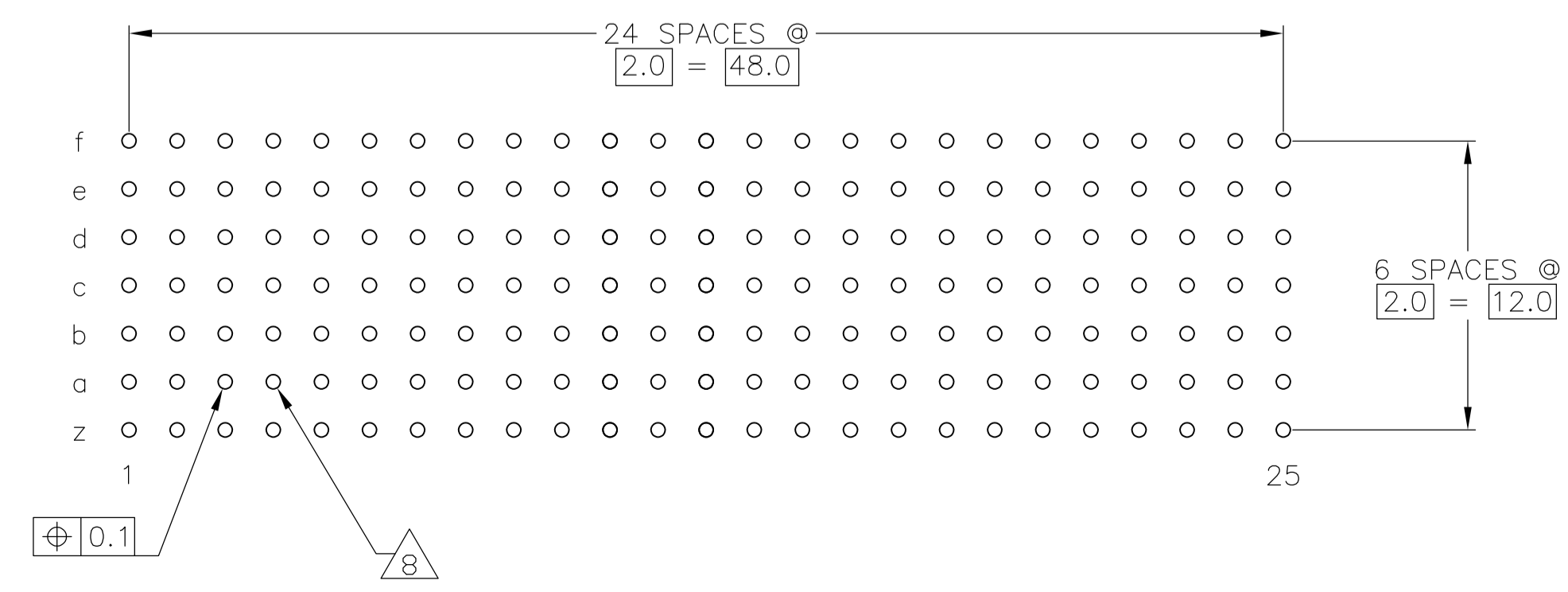


CONTACT LAYOUT

	z	a	b	c	d	e	f
1	C	B	B	B	B	B	C
2	C	B	B	B	B	B	C
3	C	B	B	B	B	B	C
4	C	B	B	B	B	B	C
5	C	B	B	B	B	B	C
6	C	B	B	B	B	B	C
7	C	B	B	B	B	B	C
8	C	B	B	B	B	B	C
9	C	B	B	B	B	B	C
10	C	B	B	B	B	B	C
11	C	B	B	B	B	B	C
12	C	B	B	B	B	B	C
13	C	B	B	B	B	B	C
14	C	B	B	B	B	B	C
15	C	B	B	B	B	B	C
16	C	B	B	B	B	B	C
17	C	B	B	B	B	B	C
18	C	B	B	B	B	B	C
19	C	B	B	B	B	B	C
20	C	B	B	B	B	B	C
21	C	B	B	B	B	B	C
22	C	B	B	B	B	B	C
23	C	B	B	B	B	B	C
24	C	B	B	B	B	B	C
25	C	B	B	B	B	B	C

RECOMMENDED PCB-HOLE LAYOUT
 COMPONENT SIDE SHOWN

PLATED THRU HOLES PARAMETERS
 REFERENCE APPLICATION SPECIFICATION



OBSOLETE	2 6 12	1-5188256-9
	2 5 12	5188256-9
	2 4	5188256-4
	2 3	5188256-1
FINISH		PART NUMBER

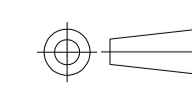
THIS DRAWING IS A CONTROLLED DOCUMENT.

DIMENSIONS: mm	TOLERANCES UNLESS OTHERWISE SPECIFIED: ±0.2	DIN B CARBO	06JAN05	Tyco Electronics Corporation
0-PLC ±	1-PLC ±0.2	CIK G SKIPPER	06JAN05	Harrisburg, PA 17105-3608
2-PLC ±	3-PLC ±	APVD G SKIPPER	06JAN05	NAME
4-PLC ±	ANGLES ±	PRODUCT SPEC		MALE ASSEMBLY, Z-PACK 2mm HM, TYPE B
MATERIAL 1	FINISH SEE TABLE	APPLICATION SPEC	108-19082	SIZE CAGE CODE DRAWING NO
		WEIGHT	114-19029	RESTRICTED TO
			A1 00779 C=5188256	SCALE 4:1 SHEET 1 OF 2 REV E

CUSTOMER DRAWING

LOC		DIST		REVISIONS			
P	LTR	DESCRIPTION	DATE	DN	APVO		
AD	00	SEE SHEET 1	-	-	-		

- 1 MATERIAL:
CONTACT: PHOSPHOR BRONZE.
HOUSING: GLASS-FILLED POLYESTER.
- 2 GENERAL PLATING SPECIFICATION: UNDERPLATING
(ENTIRE CONTACT): 1.27µm MIN NICKEL AND ACTION
PIN: 0.5µm MIN TIN.
FOR PLATING OF MATING SURFACES SEE APPLICABLE
SPECIFICATION REFERENCE FOR EACH DASH NUMBER.
- 3 CONFORMS TO ALL TESTING ACCORDING TO IEC 61076-4-101
PERFORMANCE LEVEL 2.
- 4 CONFORMS TO ALL TESTING ACCORDING TO IEC 61076-4-101
PERFORMANCE LEVEL 1.
- 5 CONNECTOR TESTED AND QUALIFIED AGAINST TELCORDIA GR-1217-CORE QUALITY LEVEL 3,
CENTRAL OFFICE APPLICATIONS.
- 6 CONNECTOR TESTED AND QUALIFIED AGAINST TELCORDIA GR-1217-CORE QUALITY LEVEL 3,
UNCONTROLLED ENVIROMENT APPLICATIONS.
- 7 CONNECTOR MARKED WITH PART NUMBER AND DATE CODE.
ADDITIONAL CHARACTERS OR MARKINGS, AS WELL AS THE LOCATION OF THE MARKINGS,
MAY BE ADDED FOR TRACEABILITY BASED UPON MANUFACTURERS DISCRETION.
- 8 PLATED-THROUGH HOLES AT 2x2mm SQUARE GRID
PATTERN DEFINED BY CONTACT LAYOUT.
- 9 FOR ACTUAL PIN LOADING SEE "CONTACT LAYOUT".
- 10 FOR ACTUAL PIN DIMENSIONS SEE "CONTACT DIMENSIONS".
- 11 TO BE MEASURED AT BOTTOM OF SHROUD.
- 12 CONNECTOR LUBRICATED WITH BELCORE APPROVED LUBRICANT,
TECHNICAL REFERENCE: TR-NWT-001217 ISSUE 1, SEP 1992.
- 13 OBSOLETE PARTS: OBSOLETE CIS STREAMLINING PER D.RENAUD/D.SINISI

THIS DRAWING IS A CONTROLLED DOCUMENT.		DIN B CARBO 06JAN05		Tyco Electronics Corporation Harrisburg, PA 17105-3608	
DIMENSIONS: mm		TOLERANCES UNLESS OTHERWISE SPECIFIED: ±0.2		Tyco Electronics	
		0-PLC ± 1-PLC ± 0.1 2-PLC ± 3-PLC ± 4-PLC ± ANGLES ±		G.SKIPPER 06JAN05 G.SKIPPER 06JAN05 NAME MALE ASSEMBLY, Z-PACK 2mm HM, TYPE B	
MATERIAL SEE SHEET 1		FINISH SEE SHEET 1		PRODUCT SPEC 108-19082 APPLICATION SPEC 114-19029	
		WEIGHT -		SIZE CAGE CODE DRAWING NO A1 00779 C=5188256	
		CUSTOMER DRAWING		RESTRICTED TO SCALE 4:1 SHEET 2 OF 2 REV E	